

Zehnder ComfoValve Luna S125

Technical specification for supply air valve



General

Zehnder ComfoValve Luna S125 is a supply air valve for use in the supply air area of the air distribution system.

Its key features include:

- Minimal height of just 30 mm, regardless of the selected air volume setting
- Optimised outflow area for silent and draught-free air supply due to the Coandă effect
- Tool-free installation, adjustment and maintenance
- Inside of the valve can be labelled to document the selected setting
- Arresting mechanism in the valve to prevent unintentional adjustment during installation and maintenance
- Zehnder Air Blocker valve insert limits outflow angle to 240° to protect sensitive living areas, e.g. above doors
- Discreet and timeless design



ComfoValve Luna S125



ComfoValve Luna S125, exploded-view drawing



ComfoValve Luna S125, ceiling installation

Benefits

- Safe mounting due to tool-free installation and arresting mechanism to prevent unintentional adjustment during installation and maintenance
- Ideal living comfort due to quiet and draught-free outflow of air
- No impact on the room design and easy integration into challenging architecture due to its discreet design

Technical specifications

Data	
Material	Plastic
Colour	Similar to RAL 9003
Diameter	170 mm
Undercut	Maximum 5 mm
Connection	DN 125
Outflow angle	360°, 240° with Air Blocker
Seal	Seal ring
Recommended application	Up to 45 m ³ /h with nominal ventilation
Installation location	Wall and ceiling
Operating temperature	Up to 60 °C

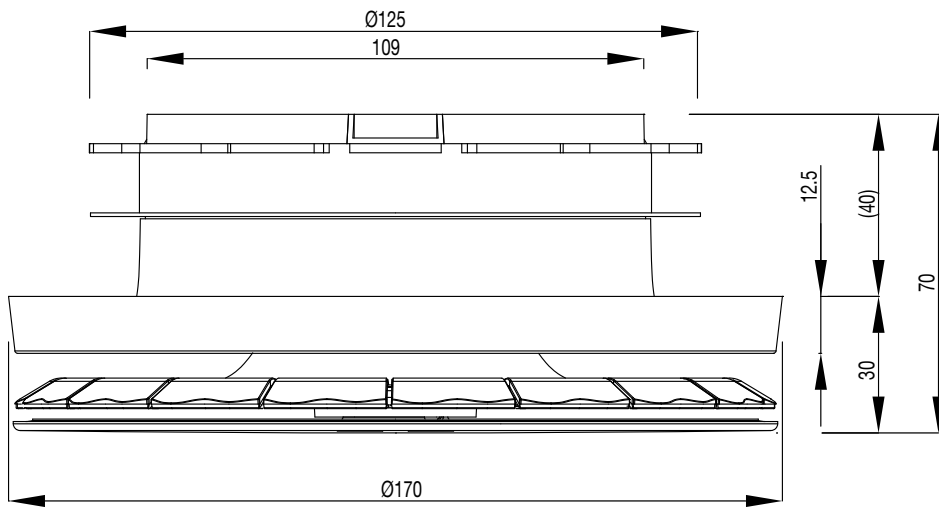
Article numbers

Description	Article number
ComfoValve Luna S125 supply air valve (1pc)	705 613 126
ComfoValve Luna S125 supply air valve (24pcs)	705 613 125
ComfoValve Luna S125 Air Blocker (1pc)	705 613 001

Tender specification

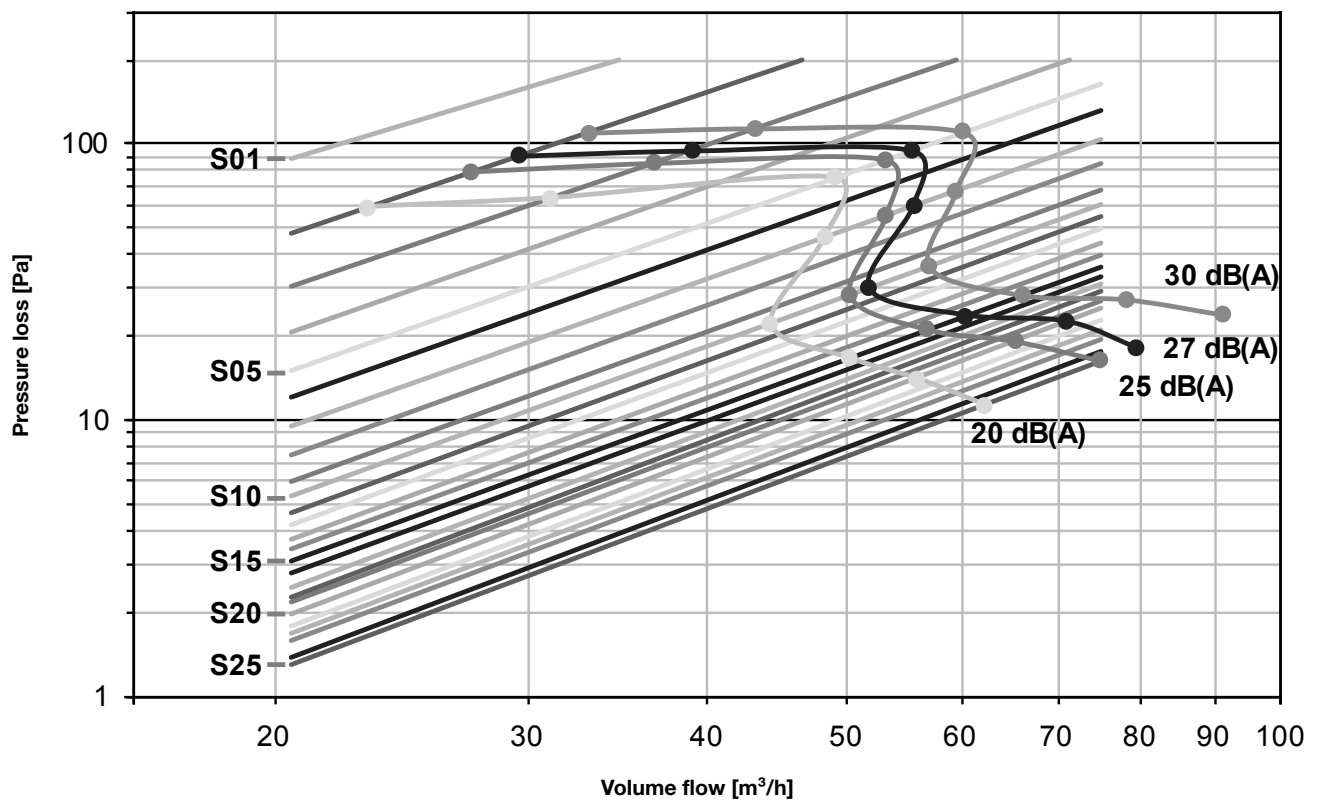
The Zehnder ComfoValve Luna S125 supply air valve is suitable for installation on walls and ceilings. It has been developed for use in the supply air area of the air distribution system and can be combined with the Zehnder CLRF and Zehnder TVA-P grille housings or other air outlets with nominal sizes of DN 125. Zehnder ComfoValve Luna S125 blends in with all architectural styles due to its discreet appearance. The optimised flow characteristics ensure silent and convenient operation. The supply air valve uses a wide outflow of air by means of the Coandă effect and avoids draughts in living areas at the same time. It can be installed, commissioned and maintained without tools. The air volume can be adjusted externally to 25 different levels by turning the control. Once the air volume has been adjusted, the selected setting can be secured to prevent it being modified inadvertently. After commissioning, the technical components are sealed in with the design panel. The seal ring allows the design panel to be inserted easily into place and forms a seal with the housing. The outflow angle can be limited from 360° to 240° in sensitive areas, such as over doors. The optional Zehnder Air Blocker is available for this purpose. It can be retrofitted into the valve in the case of installation situations with increased requirements.

Dimensional drawing



Pressure loss graph

Depending on valve setting level S01 – S25



Z_SI_V0917_CSX_TES_TS058, en, subject to change without notice