

Important features

The following accessories are available for the roof extract fans:

- DOS
- DOS...G
- DSA
- DSL
- DVK
- DVS
- GDH
- GDB
- PV
- VAP

DOS

Mounting curb for mounting roof extract fans on a flat roof. Made of light grey (RAL 7001), externally smooth fibreglass-reinforced polyester. The mounting curb is fitted with threaded bushes and fastening bolts on the top and with a 150 mm wide mounting edge at the bottom. Height 285 mm.



DOS

DOS...G

Mounting curb for mounting roof extract fans on a flat roof. Made from glass fibre reinforced polyester. The polyester curb is insulated to prevent condensation. Externally smooth and light grey (RAL 7001). The mounting curb is fitted with threaded bushes and fastening bolts on the top and with a 150mm wide mounting edge at the bottom. Height of mounting curb is 285 mm.

DSA

Mounting curb for mounting roof extract fans on a sloping roof. Made from sendzimir sheet steel, outdoor section enamelled in anthracite. The roof mounting curbs have threaded bushes and M8 fastening bolts on the top for mounting the fan. Both an adhesive roof covering section and holes in the sides are provided for mounting on the roof. When fitting mounting curbs, these sides must be screwed to the trimming using wood screws. It is absolutely not permitted to hammer wire nails or use screws as this can cause serious damage, resulting in leakage. A guide has been fitted on the inside of the fan for the power supply cable.

DSL

Mounting curb for mounting roof extract fans on a sloping roof. Made from sendzimir sheet steel, outdoor section enamelled in anthracite. The roof mounting curbs have threaded bushes and M8 fastening bolts on the top for mounting the fan. A slab of lead (6 kilo) is provided for mounting on a tiled or corrugated roof. And, holes are provided in the sides for mounting within the roof space. When fitting mounting curbs, these sides must be screwed to the trimming using wood screws. It is absolutely not permitted to hammer wire nails or use screws as this can cause serious damage, resulting in leakage. A guide has been fitted on the inside of the fan for the power supply cable.

Roof slope

The roof slope must be indicated in degrees when ordering the DSA and/or DSL.

Option

The type DS roof mounting curbs are also optionally available with 10 mm internal insulation to prevent condensation. Type DSA..G or DSL..G.

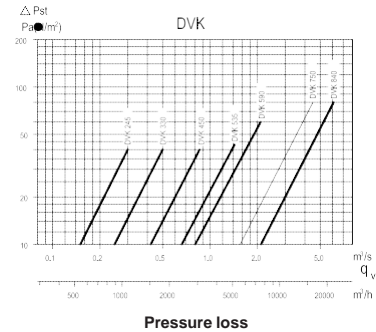
DVK

Roof feed-through sleeve valve part. Square sleeve, 310 mm long with flanged edge, made of sendzimir sheet steel and self-closing non-return damper made of aluminium. The DVK is mounted in the mounting curb from above.

Important!

The graph indicates the pressure loss. An air velocity of at least 2 m/s is required in order to open the non-return damper.

If the air velocity (air volume) is too low, the non-return damper must be operated using a servo motor. In order to determine whether the air velocity or air volume is adequate, both the working point of the fan and the lowest speed (in the case of adjustable speed) must be checked. A servo motor 230V, 50Hz with installation set is available for electronic regulation of the non-return damper. It can be simply fitted to the DVK from above, without extra tools. The regulator must be fitted with a servo contact for adjustment purposes. The DVK with a non-return damper is only applicable for air exhaust. For air supply, the non-return damper must be removed.



DVK/DVS

DVS

Roof feed-through sleeve sliding section. Square sleeve made of sendzimir sheet steel, 300 mm long with which the DVK can be extended to a maximum of 600 mm. The DVS is slid onto the DVK from below (with a rubber profile providing a good seal) and fitted to the ceiling with the flanged edge.

GDH

Type GDH silencer for the suction side of MX, VDA and VPM (not for DAP) roof extract fan types. Mounts directly under the fan base and on top of the mounting curb. Casing made of sendzimir sheet steel, with a seal in the base. Interior of polyester foam suitable for temperatures up to +90°C.

Option

Silencer GDH coated in light grey (RAL 7035) like the roof extract fans MX and VPM, type GDH K.

GDB

Silencers for the suction side of the roof extract fan. Mounts directly under the fan base and feeds through the mounting curb and into the roof space. There must be sufficient room available. Casing made of sendzimir sheet steel, with a seal at the bottom of the flange. Interior of polyester foam suitable for temperatures up to +90°C. Silencer types GDH and GDB can also be applied in combination, almost doubling the silencing effect.



GDH

PV

Seal plate made of chemical and weather resistant synthetic foam with closed cell structure offering an airtight seal for the VDA and DAP fan base on the mounting curb. Roof extract fans MX and VPM are fitted as standard with a seal in the base.

VAP

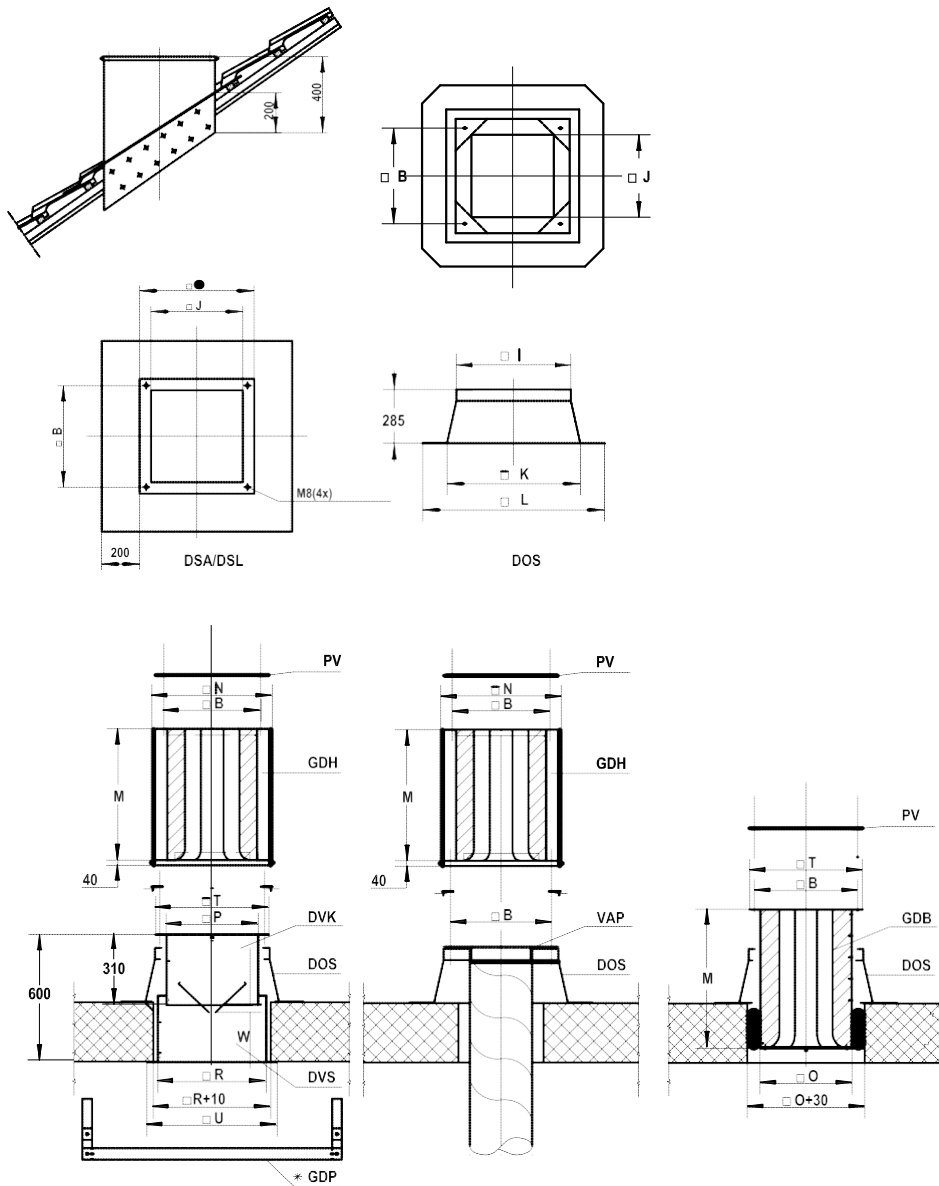
Fan connection plate, for the connection of circular ducts. Comprises a square sendzimir plate, with mounting holes and flanged sleeve. The plate is laid on the mounting curb and fitted, together with the fan or silencer. The maximum connection diameter is determined by the passage size.



PV

Accessories coding

The gauge of the fastening holes in the base of the fan is used to denote the type of accessory. For example: The VDA 450/6D is coupled to accessory size 590, the number '590' being the gauge of the fastening holes in the fan and its accessories. Accessories code DOS 450 or DOS 450G, for example.



Fan	Fan	Fan	acc.	B	I	J	K	L	M	N	O	P	R	T	U	W
VPM	VDA 160-180		245	245	290	210	388	645	500	280	187	206	242	290	304	30
MX 10	VDA 200-225	DAP 200-250	330	330	400	280	497	754	500	430	272	265	301	390	363	47
MX 20	VDA 250-280	DAP 300-350	450	450	520	402	618	875	500	550	387	362	398	510	460	32
MX 30	VDA 355	DAP 400-450	535	535	605	485	703	960	500	635	477	447	483	595	545	45
	VDA 450	DAP 500-550	590	590	660	540	758	1015	800	690	527	502	538	650	600	50
	VDA 500-560	DAP 630-710	750	750	820	700	918	1175	800	850	687	660	696	810	758	70
		DAP 800	840	840	910	790	973	1200	-	-	777	750	786	900	848	85