

zehnder

always the
best climate

Zehnder Stana

Product data sheet



On the floor in front of a window or in an alcove. Zehnder Stana enables ideal distribution of heated air throughout the room. The convector footplate elegantly conceals the connections. Understated design and a variety of models ensure that Zehnder Stana fits perfectly into any setting. Available in almost any colour and finish from the Zehnder colour chart.

Benefits

- Versatile uses, for example at glazed areas or in alcoves
- Closed design due to compact construction
- Short response time means rooms can be heated up rapidly
- High thermal output means large rooms are heated up rapidly
- Low height, ideal for use in front of glass fronts
- Invisible integrated connections in the footplate
- The mounting bracket makes it easy to install
- Various grilles to choose from for preferred design

Model overview



STN-...-014



STN-...-020



STN-...-026

All models

Technical specifications for length 1000 mm

Model	H	T	75/65/20 °C ²⁾	70/55/20 °C	55/45/20 °C
	mm	mm	Watt	Watt	Watt
STN-015-014	250	140	625	497	304
STN-015-020	250	200	993	785	474
STN-015-026	250	260	1401	1105	664
STN-023-014	330	140	718	571	349
STN-023-020	330	200	1122	885	533
STN-023-026	330	260	1616	1276	769
STN-028-014	380	140	761	607	373
STN-028-020	380	200	1202	950	573
STN-028-026	380	260	1720	1360	822

H = height, T = depth

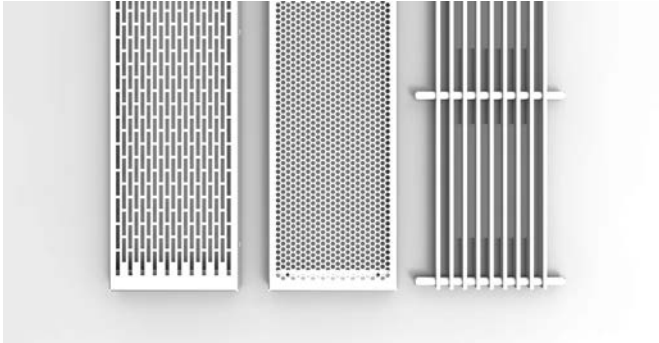
1) Incl. foot 100 mm

2) Nominal heat output according to EN 442

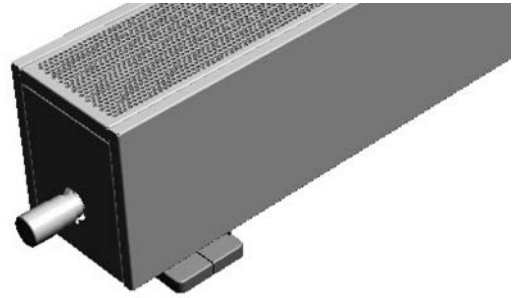
Heat output of additional model lengths can be seen in technical documents.

Zehnder Stana

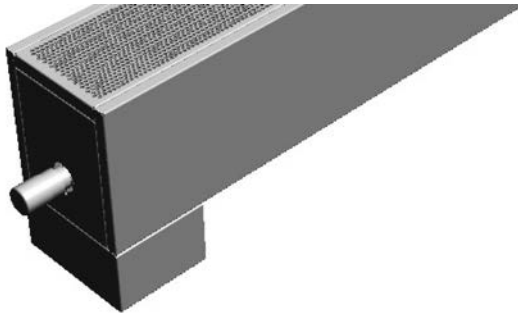
Product details



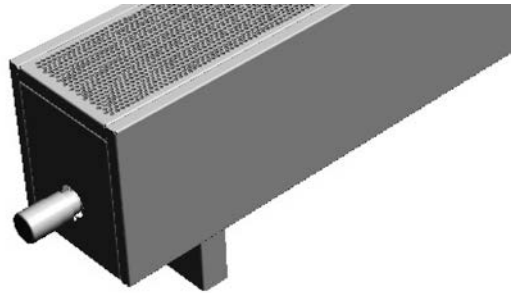
Grille with round holes structure (standard), rectangular holes or solid linear profiles



Floor feet, adjustable, for row floor or finished floor installation



Floor feet, cover (standard)



Floor feet, small

V20180723, RAD_DAS, SI_en, subject to change without notice