

zehnder

always the
best climate

Zehnder Stalox

Product data sheet



Zehnder Stalox

Pure and practical. Classic and generous. This is Zehnder Stalox, made of high-quality, polished stainless steel or painted white. The horizontal round tubes offer a lot of space for conveniently hanging towels.

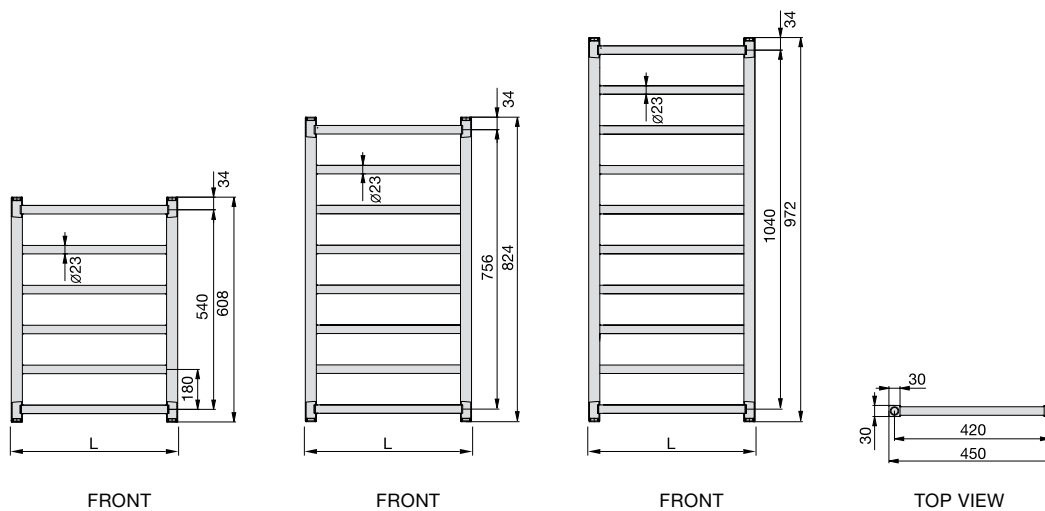
Special benefits for hot water operation

- Replaceable flow and return makes installation flexible

Benefits

- Corrosion-resistant materials also make it suitable for use with open heating systems
- Distinctive design ideally blends with classic bathrooms with square headers
- Light and seamless design enhances any room

Model overview



Dimensions in mm

Connection to hot water central heating and open heating system

Painted version

Model	H mm	L mm	Thermal output			
			75/65/20 °C ¹⁾ Watt	70/55/24 °C Watt	55/45/24 °C Watt	55/45/20 °C Watt
STX-060-045	608	450	190	139	87	103
STX-080-045	824	450	247	181	113	134
STX-100-045	1040	450	310	226	140	167

Stainless steel version, polished

Model	H mm	L mm	Thermal output			
			75/65/20 °C ¹⁾ Watt	70/55/24 °C Watt	55/45/24 °C Watt	55/45/20 °C Watt
STXI-060-045	608	450	125	92	58	68.7
STXI-080-045	824	450	167	121	74	88.2
STXI-100-045	1040	450	209	150	92	110

H = height, L = length

1) Nominal heat output according to EN 442